

VTZ VALVES AND AUTOMATION

Manufacturer of all kinds of Industrial Valves



VTZ VALVES AND
AUTOMATION

CENTRIC WAFER BODY BUTTERFLY VALVE



TECHNICAL SPECIFICATION

Design & Manufacturing Standards

API 609 / BS EN-593 / IS13095 / ASME B16.5 / ISO 7005

Testing Standard

API 598 / API6D / BSEN 12266-1

Valve face to face Dimension

Category A API 609 / IS13095 / EN593 / ISO5752Tab5

TOP Flange Drilling

ISO 5211

Flang Standard

DIN EN 1092-PN6, PN10, Class 150, BS10
Tab D&E, IS6392, Tab 11/17, JIS 5K/10K

MATERIAL OF CONSTRUCTION

BODY

Cast Iron ASTM A126 Class B IS 210 FG 260,
Ductile Iron ASTM A 395 (60-40-18), WCB (CS)
ASTM A 216, Stainless Steel (CF8M/CF8) ASTM A 351M/351

DISC

Cast Iron ASTM A126 Class B IS 210 FG 260, Ductile Iron
ASTM A 395 (60-40-18), WCB (CS) ASTM A 216,
Stainless Steel (CF8M/CF8) ASTM A 351M/351
Alluminium Bronze, Duplex, Super Duplex

***DISC also available with Rubber Lining in EBBONITE/
EPDM/NBR/NYLON/HYPLON (with Gurranted Spark
Test Pass)**

STEM

Stainless Steel ASTM A 479 TYPE 410
Stainless Steel ASTM A 276 TYPE 316
Stainless Steel ASTM A 276 TYPE 304
Duplex, Super Duplex, Monel, Bronze

STEM BUSHING : PTFE, ACETAL

OIL SEAL (Stem Seal) : EPDM

WASHER : SS304

RETAINING CIRCLIP : SPRING STEEL

SEAT

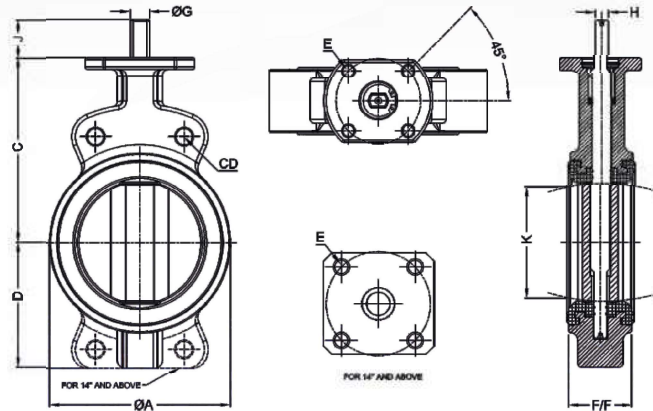
EPDM / White EPDM (FOOD GRADE)
BUNA-N / White - BUNA N (Food Garde)
(NITRILE - NBR) VITON, HYPLON, BUTYLE, SILICON,
NEOPRENE, NATURAL RUBBER

Note : Note : All Body and Disc are IC Cast from
1.5" (DN40) To 24" (DN600) Available. any other
Special Material are also work on request for
Body / Disc / Stem / Seat.



**VTZ VALVES AND
AUTOMATION**

DIMENSION SPECIFICATION



Valve Size		øA	F/F	C	D	Top Mounting Flange			øG	H	J	K	Bolting Dia	
Inch	DIN					E	No.of Holes	Hole Dia					ASME B16.5 CD	ISD 7005 CD
1.5	40	71.80	43.00	87.00	47.00	F05	4	8.00	12.00	8.00	30.00	-	98.40	110.00
2	50	91.00	43.00	113.00	59.00	F05	4	8.00	14.00	10.00	29.40	30.98	120.70	125.00
2.5	65	96.80	46.00	110.00	61.00	F05	4	8.00	14.00	10.00	30.00	48.741	139.70	145.00
3	80	116.80	46.00	128.00	73.00	F05	4	8.00	14.00	10.00	30.00	66.42	152.40	160.00
4	100	149.00	52.00	154.00	91.00	F07	4	9.00	16.00	11.00	31.40	90.64	190.50	180.00
5	125	168.90	56.00	169.00	105.00	F07	4	9.00	19.00	13.00	32.00	115.10	215.90	210.00
6	150	202.00	56.00	189.00	122.00	F07	4	9.00	19.00	13.00	30.00	140.23	241.30	240.00
8	200	250.00	60.00	214.00	146.00	F07/F10	4/4	9.00/11.00	22.00	16.00	30.00	189.53	298.50	295.00
10	250	308.00	68.00	251.00	185.00	F10	4	11.00	28.00	20.00	32.00	240.99	362.00	350.00
12	300	361.40	78.00	289.00	214.00	F10	4	11.00	30.00	22.00	32.00	289.68	431.80	400.00
14	350	413.00	78.00	340.00	262.00	F12	4	14.50	35.00	27.00	52.00	325.65	476.30	460.00
16	400	474.00	102.00	373.00	294.00	F12	4	14.50	35.00	27.00	52.00	374.88	539.80	515.00
18	450	528.00	114.00	407.00	319.00	F16	4	21.00	47.00	36.00	59.00	424.97	577.90	565.00
20	500	582.00	127.00	436.00	354.00	F16	4	21.00	49.00	36.00	59.00	473.25	635.00	620.00
22	550	634.00	127.00	464.00	381.00	F16	4	21.00	49.00	36.00	59.00	525.88	692.10	-
24	600	690.00	154.00	494.00	422.00	F16	4	21.00	59.00	46.00	80.00	571.61	749.30	725.00

Torque Rating(NM) for Rubber Line Wafer Butterfly Valve

VALVE	1.5"	2"	2.5"	3"	4"	5"	6"	8"	10"	12"	14"	16"	18"	20"	22"	24"
Full Rated Pressure	3.5	7	7	13	14	29	44	58	102	164	269	351	418	659	768	1091
Valve ΔP Bar (PSI)	7	8	8	14	18	30	47	65	118	183	317	401	504	825	957	1412
	10	8	8	14	18	30	48	66	122	198	337	450	585	989	1144	1684
	12	12	12	18	23	34	53	73	131	218	369	540	702	1186	1373	2189
	16	17	17	22	32	45	65	110	210	319	468	800	1025	1730	2002	2845



**VTZ VALVES AND
AUTOMATION**

WAFER TYPE DISC CHECK VALVE FEATURES



TECHNICAL SPECIFICATION

Design & Manufacturing & Flange Standards

DIN EN 1092-PN6, PN10 & PN16, Class 150, BS10
Tab D&E, ANSIB 16.5#150 / ASMEB 16.5,

Testing Standard

API 598

Valve face to face Dimension

API 6D / ASMEB 16.10

MATERIAL OF CONSTRUCTION

BODY :

Cast Iron ASTM A126 IS210 FG260, Ductile Iron ASTM A395 (60-40-18),
Carbon Steel ASTM 216 WCB, Stainless Steel ASTM A351M/351
CF8, CF8M

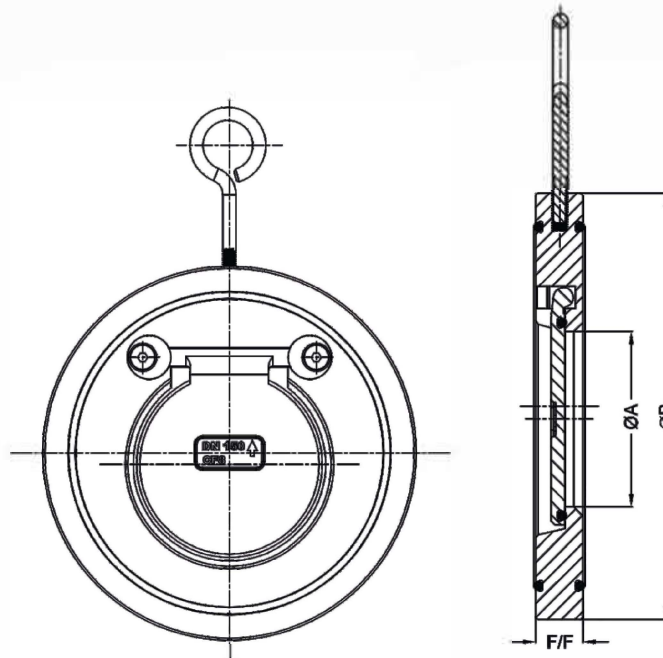
DISC : DI, CF8, CF8M, Al Bron, Duplex, Super Duplex.

O RING : EPDM, Buna-N, Viton, Hyplon, Butyle, Silicon, Neoprene, PTFE

EYE BOLT : MS, SS

Note : Steel, Stainless Steel, Duplex, Super Duplex, Alluminium Bronze, also available in Body & Disc
on 1.5" (Dn40) to 24" (DN600)

DIMENSION SPECIFICATION



Valve Size		ØA	F/F	ØB				ANSI #150
Inch	DIN			PN10	PN16	BS10-D	BS10-E	
1.25	32	18.00	19.00	81.00	81.00	72.00	72.00	74.00
1.5	40	22.00	19.00	93.00	93.00	86.00	86.00	83.00
2	50	30.00	19.00	108.00	108.00	97.00	97.00	102.00
2.5	65	40.00	19.00	128.00	128.00	110.00	110.00	121.00
3	80	52.00	19.00	143.00	143.00	129.00	129.00	134.00
4	100	71.00	19.00	163.00	163.00	161.00	161.00	172.00
5	125	93.00	19.00	193.00	193.00	193.00	193.00	194.00
6	150	114.00	19.00	219.00	219.00	218.00	215.00	220.00
8	200	157.00	29.00	274.00	274.00	274.00	272.00	277.00
10	250	195.00	29.00	329.00	329.00	335.00	335.00	337.00
12	300	230.00	38.00	379.00	385.00	385.00	383.00	407.00
14	350	270.00	44.00	438.00	444.00	446.00	446.00	448.00
16	400	310.00	51.00	489.00	496.00	496.00	496.00	512.00
18	450	360.00	60.00	538.00	555.00	559.00	559.00	545.00
20	500	406.00	64.00	593.00	616.00	616.00	616.00	602.00
22	550	450.00	64.00	-	-	-	-	656.00
24	600	490.00	70.00	695.00	733.00	727.00	724.00	714.00



VTZ VALVES AND AUTOMATION

**Address: 14-38-1A, F-401, Viswanath Residency, Muppidi Colony,
Maharanipeta, Visakhapatnam- 530002.**

Mobile: +91-9000271257 , +91-9440087136, Email: vtzvalves@hotmail.com