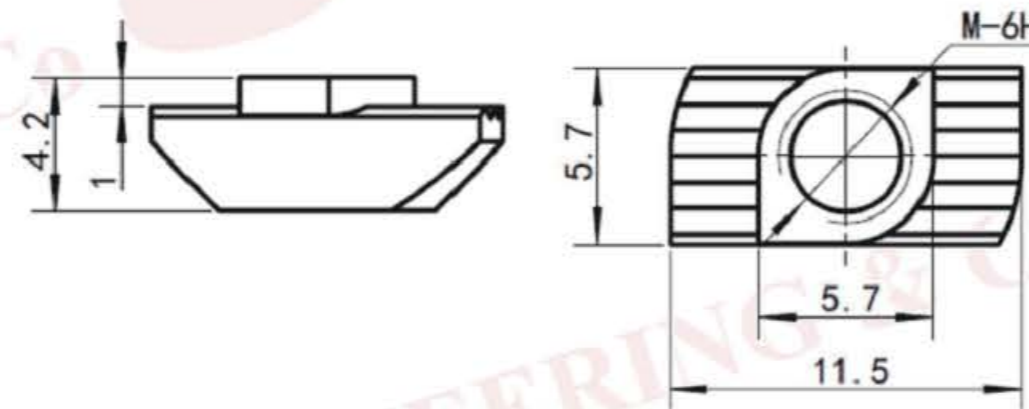
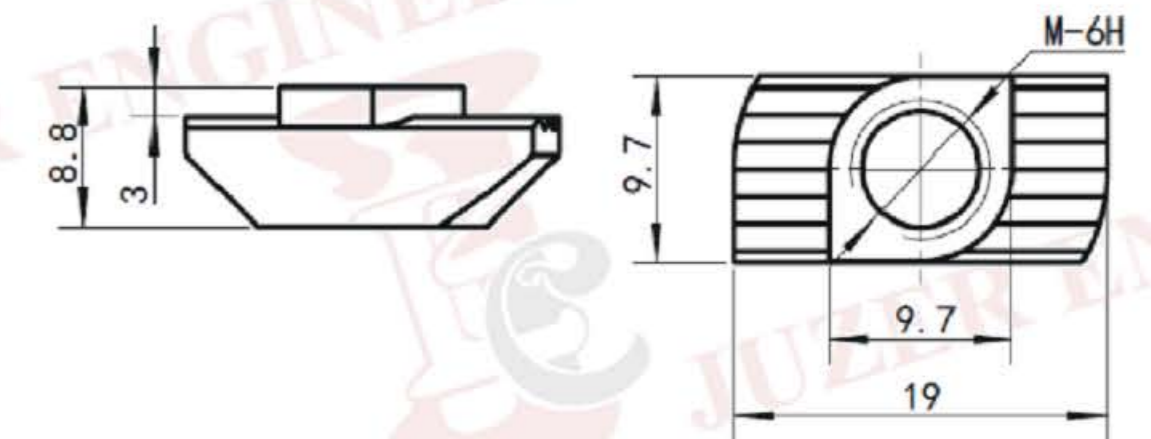


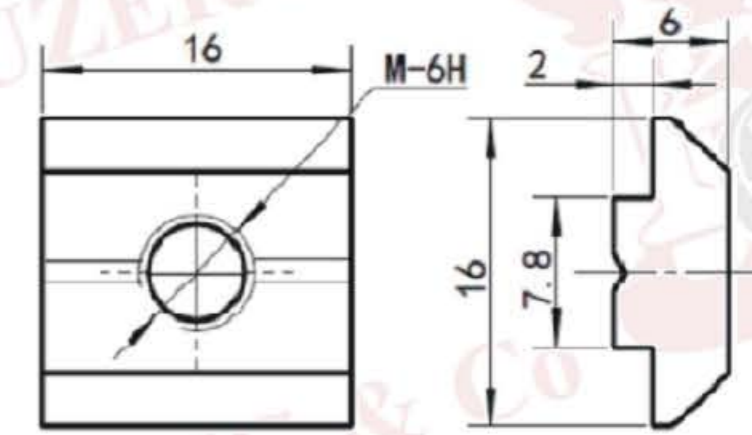
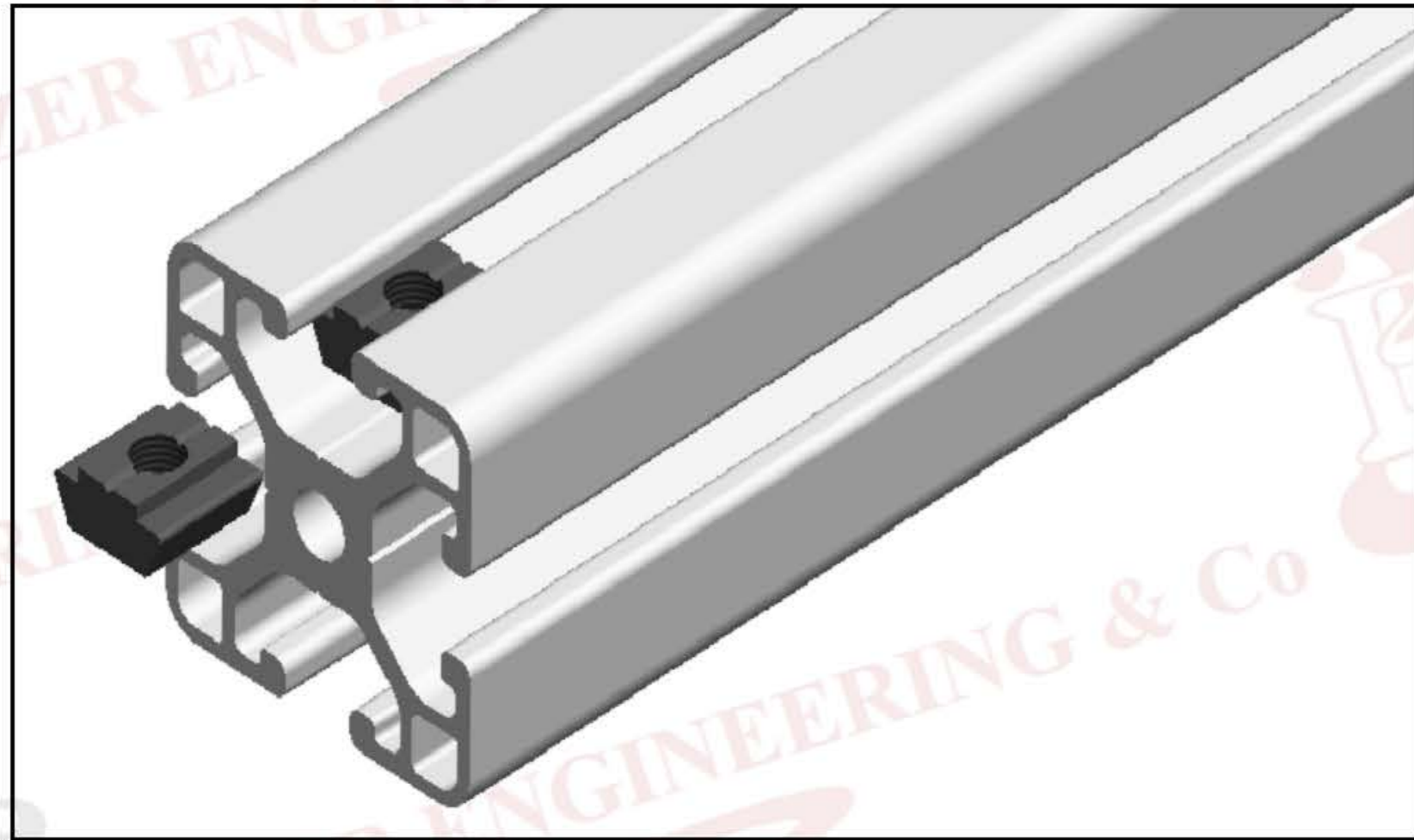
Thread Size	Part Number	Surface	Material
M3	J02-HN-0803-M3-WZ	Zinc Plated	Carbon Steel
M4	J02-HN-0804-M4-WZ	Zinc Plated	Carbon Steel
M5	J02-HN-0805-M5-WZ	Zinc Plated	Carbon Steel
M6	J02-HN-0806-M6-WZ	Zinc Plated	Carbon Steel
M3	J02-HN-0803-M3-NP	Nickel Plated	Carbon Steel
M4	J02-HN-0804-M4-NP	Nickel Plated	Carbon Steel
M5	J02-HN-0805-M5-NP	Nickel Plated	Carbon Steel
M6	J02-HN-0806-M6-NP	Nickel Plated	Carbon Steel



Thread Size	Part Number	Surface	Material
M3	J01-HN-0603-M3-WZ	Zinc Plated	Carbon Steel
M4	J01-HN-0604-M4-WZ	Zinc Plated	Carbon Steel
M5	J01-HN-0605-M5-WZ	Zinc Plated	Carbon Steel
M3	J01-HN-0603-M3-NP	Nickel Plated	Carbon Steel
M4	J01-HN-0604-M4-NP	Nickel Plated	Carbon Steel
M5	J01-HN-0605-M5-NP	Nickel Plated	Carbon Steel

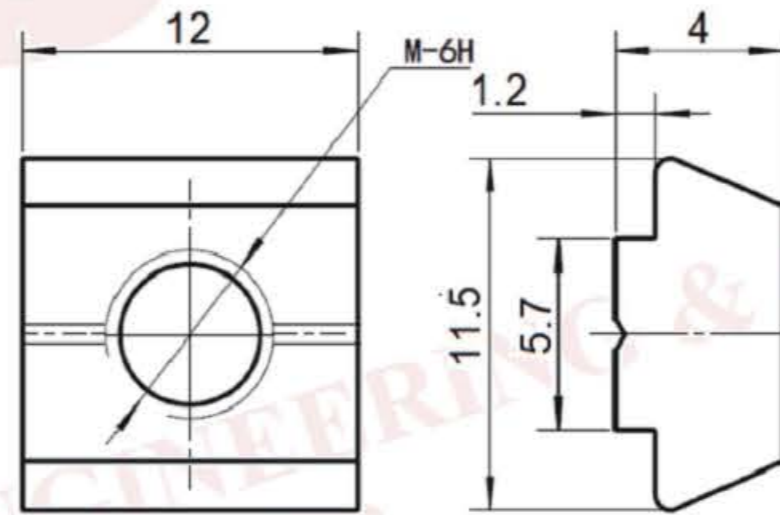


Thread Size	Part Number	Surface	Material
M3	J03-HN-1003-M3-WZ	Zinc Plated	Carbon Steel
M4	J03-HN-1004-M4-WZ	Zinc Plated	Carbon Steel
M5	J03-HN-1005-M5-WZ	Zinc Plated	Carbon Steel
M6	J03-HN-1006-M6-WZ	Zinc Plated	Carbon Steel
M8	J03-HN-1008-M8-WZ	Zinc Plated	Carbon Steel
M3	J03-HN-1003-M3-NP	Nickel Plated	Carbon Steel
M4	J03-HN-1004-M4-NP	Nickel Plated	Carbon Steel
M5	J03-HN-1005-M5-NP	Nickel Plated	Carbon Steel
M6	J03-HN-1006-M6-NP	Nickel Plated	Carbon Steel
M8	J03-HN-1008-M8-NP	Nickel Plated	Carbon Steel



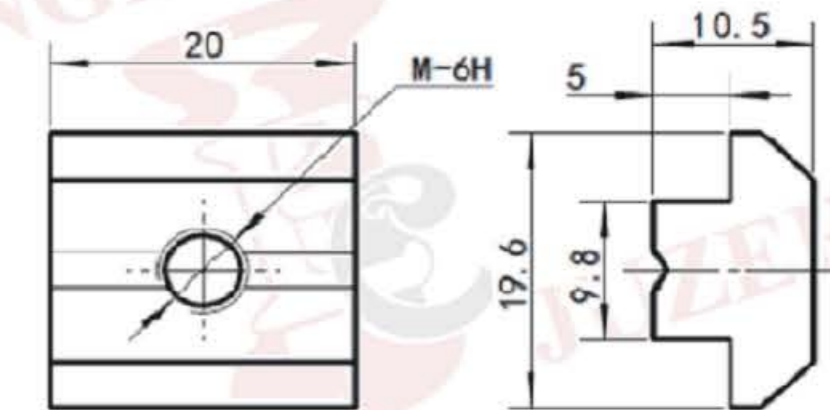
8 mm
SLOT SIZE

Thread Size	Part Number	Surface	Material
M3	J05-TN-0803-M3-WZ	Zinc Plated	Carbon Steel
M4	J05-TN-0804-M4-WZ	Zinc Plated	Carbon Steel
M5	J05-TN-0805-M5-WZ	Zinc Plated	Carbon Steel
M6	J05-TN-0806-M6-WZ	Zinc Plated	Carbon Steel
M8	J05-TN-0808-M8-WZ	Zinc Plated	Carbon Steel



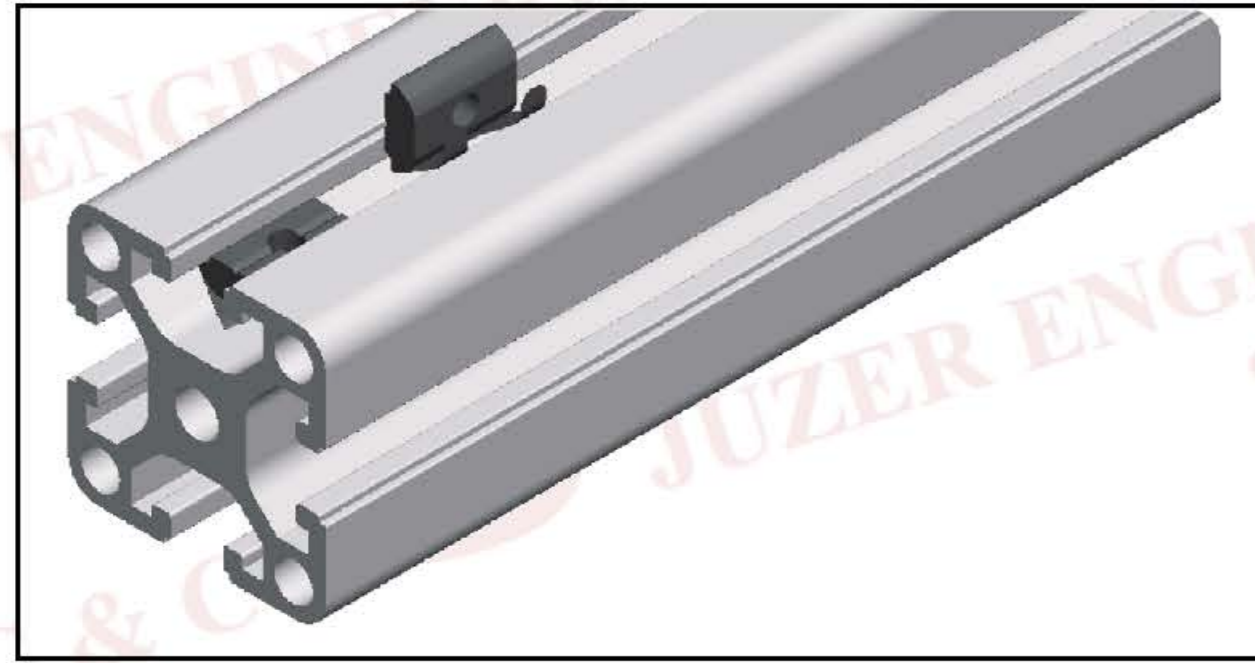
6 mm
SLOT SIZE

Thread Size	Part Number	Surface	Material
M3	J04-TN-0603-M3-WZ	Zinc Plated	Carbon Steel
M4	J04-TN-0604-M4-WZ	Zinc Plated	Carbon Steel
M5	J04-TN-0605-M5-WZ	Zinc Plated	Carbon Steel
M6	J04-TN-0606-M6-WZ	Zinc Plated	Carbon Steel

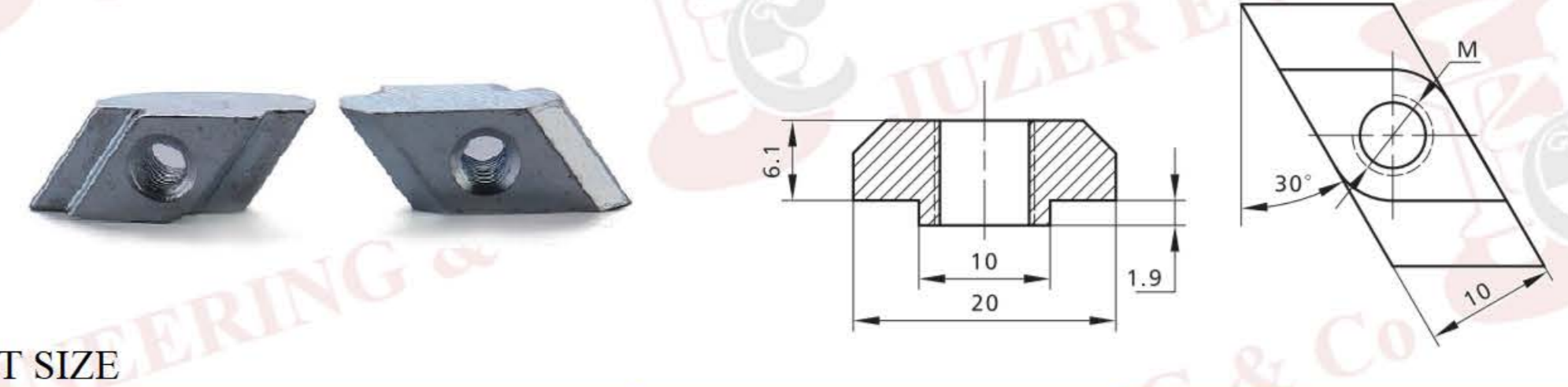


10 mm
SLOT SIZE

Thread Size	Part Number	Surface	Material
M3	J06-TN-1003-M3-WZ	Zinc Plated	Carbon Steel
M4	J06-TN-1004-M4-WZ	Zinc Plated	Carbon Steel
M5	J06-TN-1005-M5-WZ	Zinc Plated	Carbon Steel
M6	J06-TN-1006-M6-WZ	Zinc Plated	Carbon Steel
M8	J06-TN-1008-M8-WZ	Zinc Plated	Carbon Steel



Thread Size	Part Number	Surface	Material
M4	J09-RN-0804-M4-WZ	Zinc Plated	Carbon Steel
M5	J09-RN-0805-M5-WZ	Zinc Plated	Carbon Steel
M6	J09-RN-0806-M6-WZ	Zinc Plated	Carbon Steel



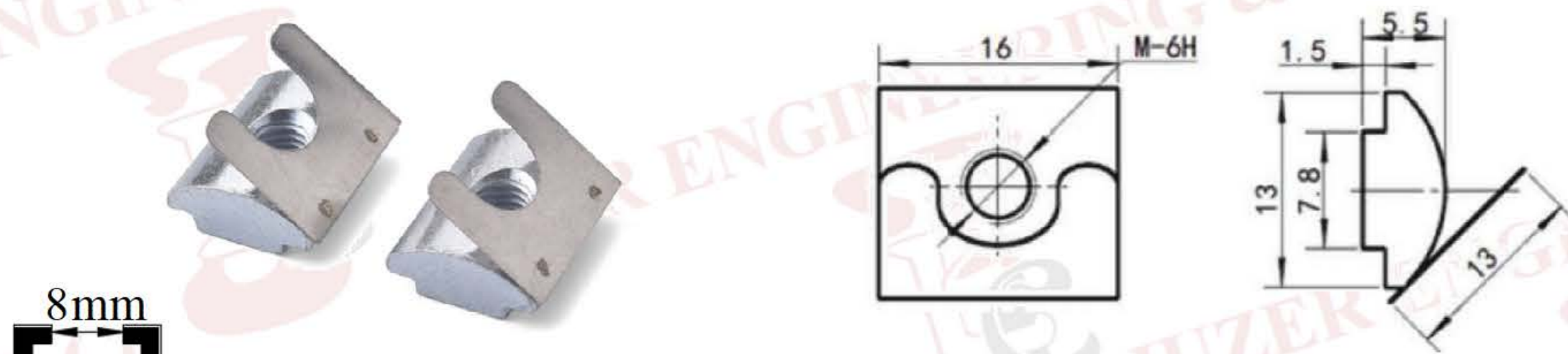
Thread Size	Part Number	Surface	Material
M4	J10-RN-1004-M4-WZ	Zinc Plated	Carbon Steel
M5	J10-RN-1005-M5-WZ	Zinc Plated	Carbon Steel
M6	J10-RN-1006-M6-WZ	Zinc Plated	Carbon Steel
M8	J10-RN-1008-M8-WZ	Zinc Plated	Carbon Steel



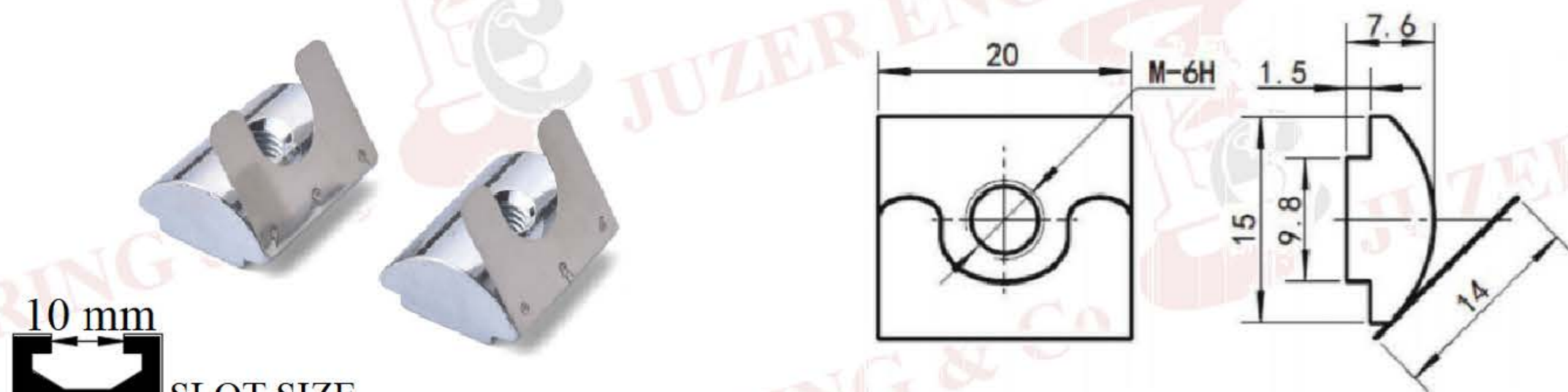
Thread Size	Part Number	A	B	C	D	E	F	G	Surface	Material
M6	J11-FN-0006-M6-WZ	Φ13.5	10	6	1.2	2	Φ9	0.5	Zn Plated	Carbon Steel
M8	J11-FN-0008-M8-WZ	Φ17.5	12.5	8	2	3	Φ12	0.5	Zn Plated	Carbon Steel



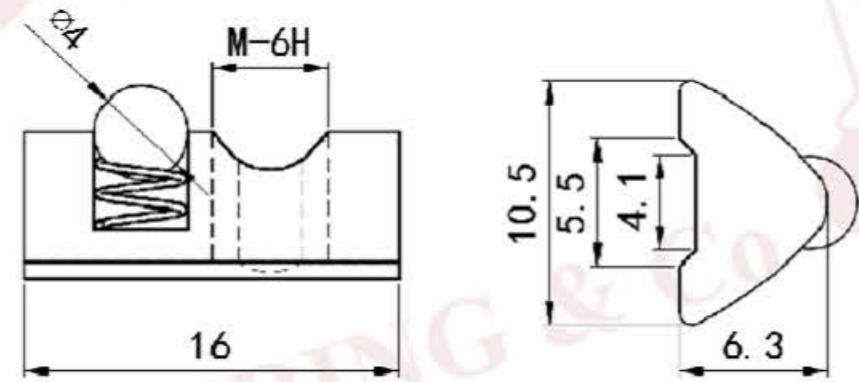
Thread Size	Part Number	Surface	Material
M8	J12-FN-0010-M8-WZ	Zinc Plated	Carbon Steel



Thread Size	Part Number	Surface	Material
M4	J07-LN-0804-M4-WZ	Zinc Plated	Carbon Steel
M5	J07-LN-0805-M5-WZ	Zinc Plated	Carbon Steel
M6	J07-LN-0806-M6-WZ	Zinc Plated	Carbon Steel
M8	J07-LN-0808-M8-WZ	Zinc Plated	Carbon Steel

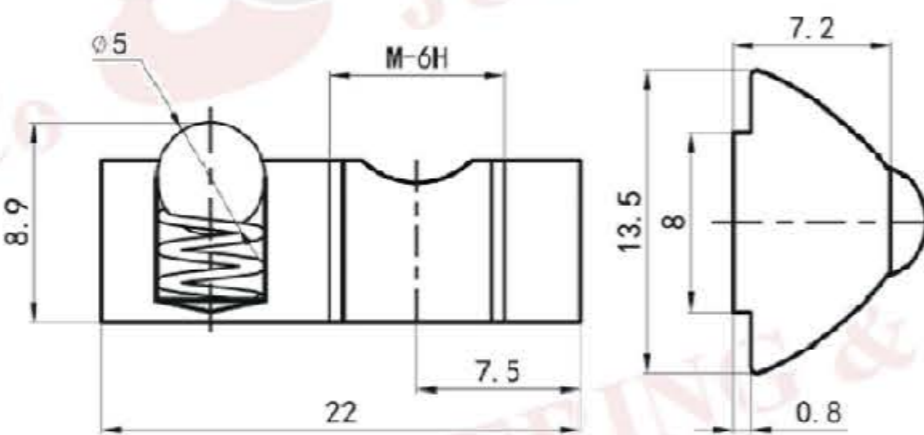


Thread Size	Part Number	Surface	Material
M4	J08-LN-1004-M4-WZ	Zinc Plated	Carbon Steel
M5	J08-LN-1005-M5-WZ	Zinc Plated	Carbon Steel
M6	J08-LN-1006-M6-WZ	Zinc Plated	Carbon Steel
M8	J08-LN-1008-M8-WZ	Zinc Plated	Carbon Steel



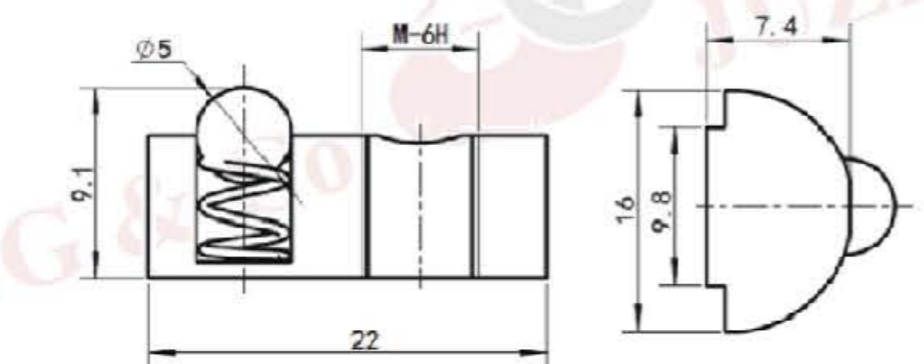
6 mm
SLOT SIZE

Thread Size	Part Number	Surface	Material
M3	J13-BN-0603-M3-WZ	Zinc Plated	Carbon Steel
M4	J13-BN-0604-M4-WZ	Zinc Plated	Carbon Steel
M5	J13-BN-0605-M5-WZ	Zinc Plated	Carbon Steel



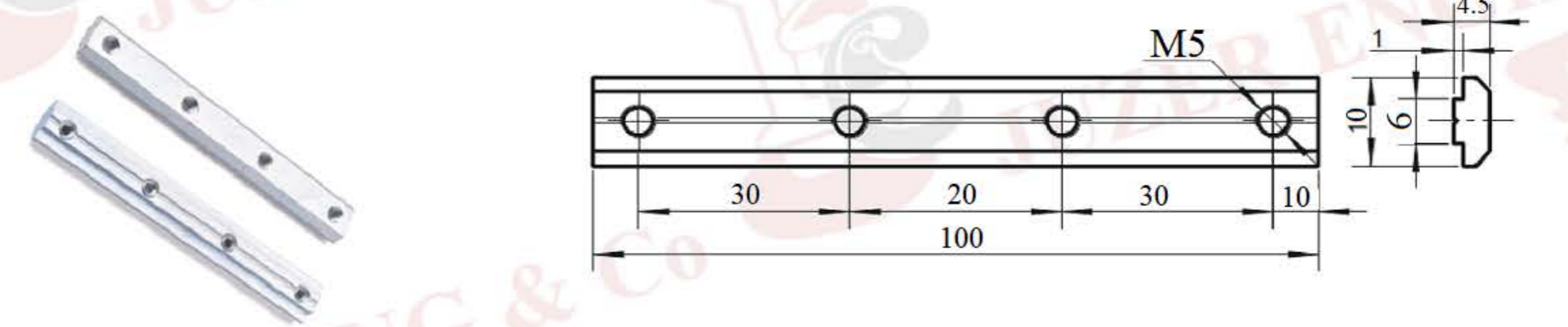
8mm
SLOT SIZE

Thread Size	Part Number	Surface	Material
M4	J14-BN-0804-M4-WZ	Zinc Plated	Carbon Steel
M5	J14-BN-0805-M5-WZ	Zinc Plated	Carbon Steel
M6	J14-BN-0806-M6-WZ	Zinc Plated	Carbon Steel



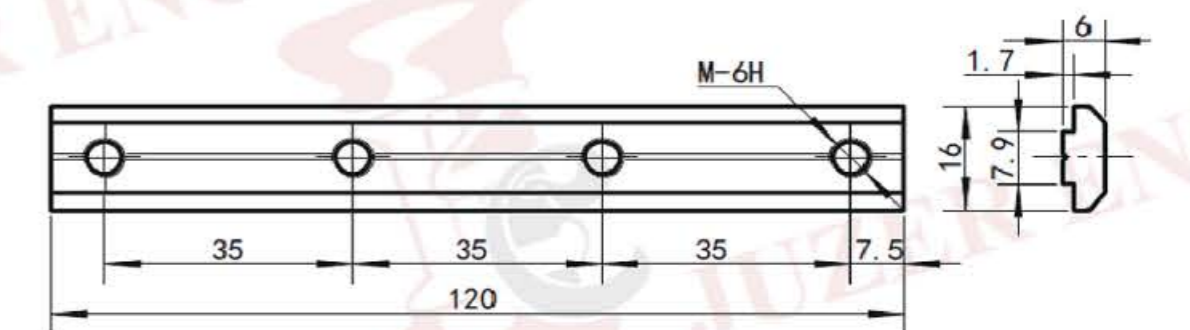
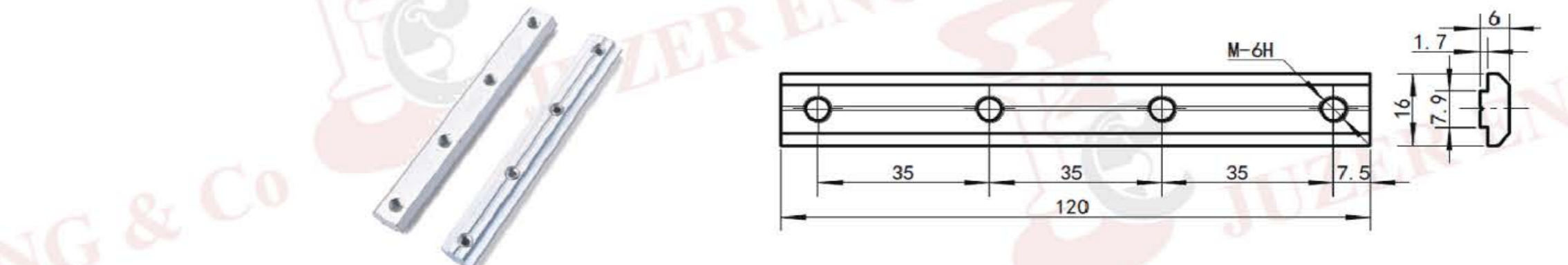
10 mm
SLOT SIZE

Thread Size	Part Number	Surface	Material
M4	J15-BN-1004-M4-WZ	Zinc Plated	Carbon Steel
M5	J15-BN-1005-M5-WZ	Zinc Plated	Carbon Steel
M6	J15-BN-1006-M6-WZ	Zinc Plated	Carbon Steel
M8	J15-BN-1008-M8-WZ	Zinc Plated	Carbon Steel



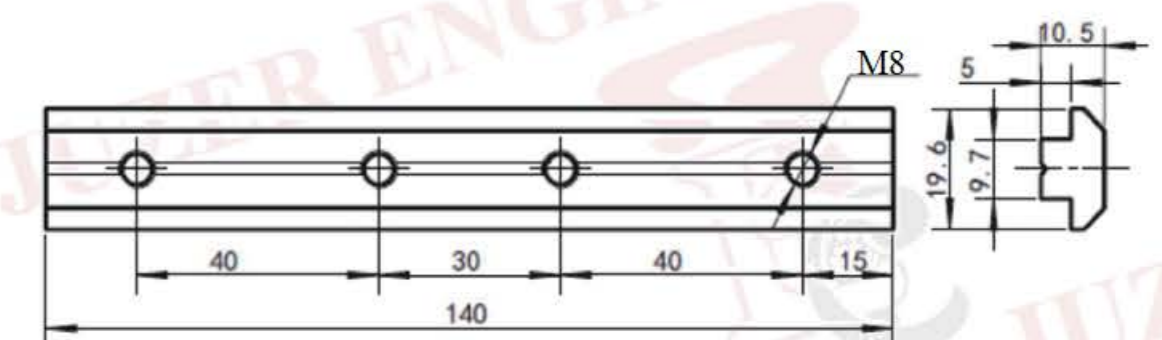
6 mm
SLOT SIZE

Thread Size	Part Number	Surface	Material
M5	J16-TC-0610005-M5-WZ	Zinc Plated	Carbon Steel



8mm
SLOT SIZE

Thread Size	Part Number	Surface	Material
M6	J17-TC-0812006-M6-WZ	Zinc Plated	Carbon Steel



10 mm
SLOT SIZE

Thread Size	Part Number	Surface	Material
M8	J18-TC-1014008-M8-WZ	Zinc Plated	Carbon Steel